

KT-HD91A/R(NDI Version:KT-HD91AN)

FHD 20/12X PTZ Camera

1080P 60FPS

USB3.0+HDMI+LAN+SDI

NDI®|HX Optional

AI Tracking

Auto Framing



Features

■ 1080P HD Resolution:

Applies SONY 1/2.8" Progressive CMOS sensor, 2.07 Megapixels, max.1920x1080 high resolution with frame rate up to 60fps.

■ Abundant Outputs: HDMI+3G-SDI+LAN+USB3.0

Supports HDMI, 3G-SDI, LAN, USB3.0 HD 1080P output in sync.

■ Ultra High Frame Rate:

Video output frame rate can reach 1080P 60fps. IP supports POE(optional) and NDI®|HX2(optional) for more functions and applications.

■ 12x 20x Optical Zoom Can be Optional:

HD91R: 12x optical zoom+16x digital zoom.

HD91A: 20x optical zoom+16x digital zoom.

■ Low Light:

Brand new CMOS image sensor with ultra high S/N Ratio can effectively reduce image noise in low light conditions. Applied 2D&3D Digital noise reduction at the same time, it reduces image noise greatly, even in ultra low light conditions, it could still remain the frame clean and clear, S/N Ratio of the image is higher than 55dB.

■ Remote Control:

Use RS232, RS422/RS485 serial ports to control multiple cameras with daisy chain.

■ Signal Transparent Transmission Function of Infrared Remote Controller:

Apart from receiving its own infrared remote controller's signals, it can also receive signals from the user's infrared remote controller and send to video conference terminal via VISCA IN port.

Various Video Compression Standards:

Different interfaces support YUY2, H.265, MJPG, H.264 multiple video compression formats.

Various Network Protocols:

Supports ONVIF, SRT, RTSP, RTMP, RTMPS, NDI®|HX2 (optional) and other network protocols.

Multiple Control Protocols:

Supports VISCA (including VISCA Over IP), PELCO P/D, NDI® (optional) protocols, and automatically identifies protocols.

Multi-installation Methods:

Wall mounting, desktop or ceiling mounting.

New generation AI human tracking algorithm:

Upgraded to support AI intelligent tracking and automatic framing functions.

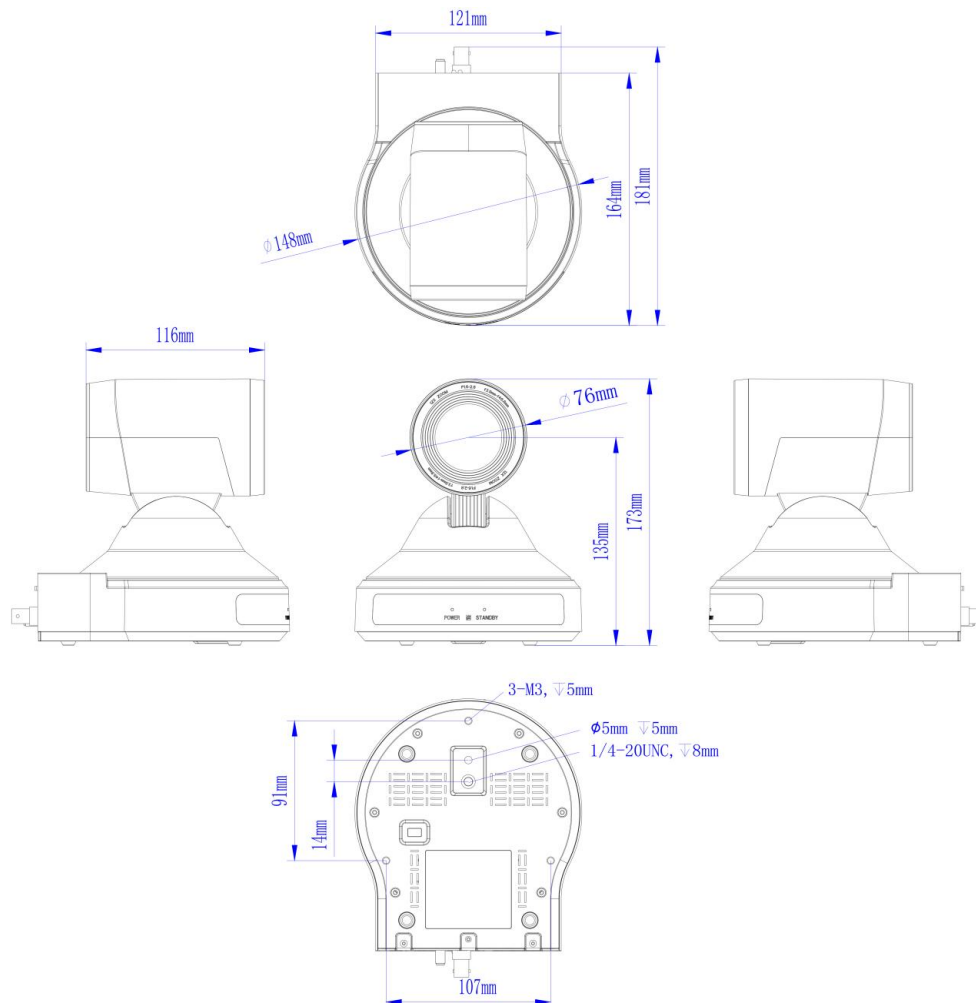
Specifications

Image Parameters	
Resolution	HDMI: 1080p60/59.94/50/30/29.97/25, 1080i60/59.94/50, 720p60/50 SDI: 1080p60/59.94/50/30/29.97/25, 1080i60/59.94/50, 720p60/50
Image Sensor	SONY 1/2.8" CMOS
Pixels	HD91R: 3.10 Megapixels, 2.07 Effective Megapixels HD91A: 3.50 Megapixels, 2.07 Effective Megapixels
Scan Mode	Line by line
Lens	HD91R: 12X Optical Zoom, f=3.9mm(W)~46.8mm(T), F1.6~F2.8 HD91A: 20X Optical Zoom, f=5.2mm(W)~104mm(T), F1.55~F3.13
Digital Zoom	16X
Horizontal View Angle	HD91R: 72.5°(W)~6.5°(T) HD91A: 58.7°(W)~3.2°(T)
Vertical View Angle	HD91R: 32.2°(W)~1.8°(T) HD91A: 33.8°(W)~1.2°(T)
Focus System	Auto, Manual
Shutter Speed	1/50s ~ 1/10000s
Minimum Illumination	HD91R: 0.1 Lux @ (F1.8, AGC ON) HD91A: 0.1 Lux @ (F1.5, AGC ON)
Exposure	Auto, Manual, Iris Priority, Shutter Priority, Brightness priority
White Balance	Auto, Indoor, Outdoor, Keying, Auto Tracking, Manual
Backlight Compensation	Support
Digital Noise Reduction	2D&3D Digital noise reduction

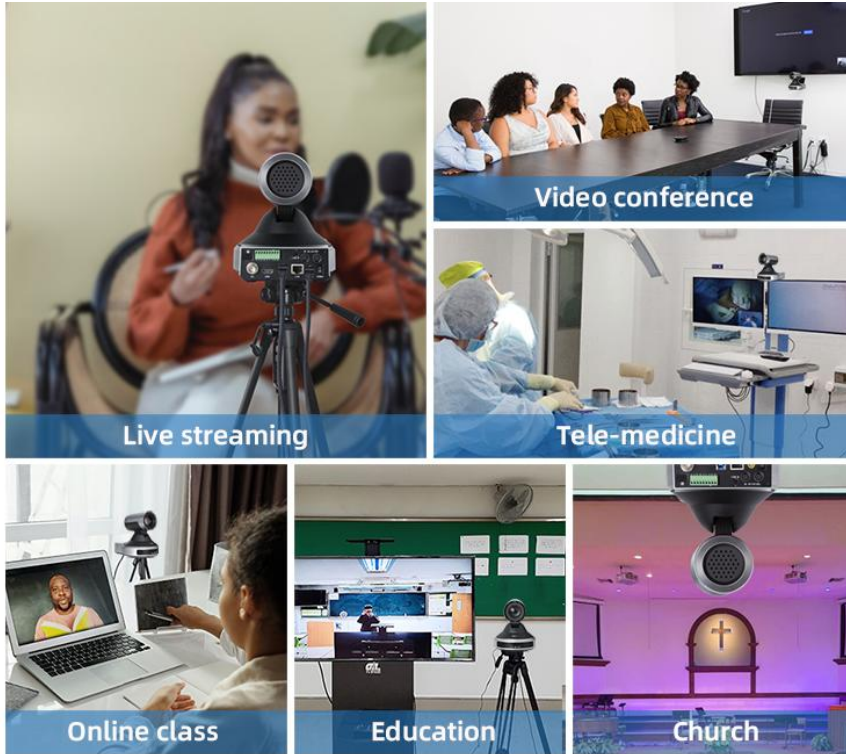
S/N Ratio	≥50dB
Pan/Tilt	
Pan Angle	355°
Tilt Angle	-30°~+30°
Pan Speed	1°~80°/s
Tilt Speed	1°~60°/s
Preset Positions	9 preset positions by IR remote controller, 200 preset positions by joystick controller or PC
Preset Accuracy	0.1°±10%
Flip	Support
Image Freeze	Support
POE	802.3af (Optional)
AI	
AI Tracking	Support
Auto Framing	Support
Tracking Size	Support
Tracking Sensitivity	Support
AI Guard Position	Support
USB	
Protocol	UVC 1.1
Operating System	Window7 and above, MacOS, Linux, Android
Video Compression	YUY2, MJPEG
Resolution	1920*1080, 1280*720, 960*540, 800*600, 720*576, 720*480, 640*480, 640*360, 352*288, 320*240
Frame Rate	Max.60
UVC Control	Support
LAN	
Protocol	TCP/IP, HTTP, RTSP, RTMP, RTMPS, SRT, Onvif, DHCP, VISCA Over IP, NDI@HX2 (Optional)
Video Compression	H.264, H.265
Code Stream	Main code stream*1, Sub code stream*1
Main Stream Resolution	1920*1080, 1280*960, 1280*720, 720*576, 720*480, 640*480
Sub Stream Resolution	640*480, 640*360, 480*360, 352*288, 320*240, 176*144
Bitrate Control	VBR, CBR
Audio	
Audio Compression	AAC
Audio Bit Rate	128kbps
Interface	
HDMI Interface	1 Line, HDMI: Version 1.4
SDI Interface	1 Line, 3G-SDI
USB Interface	1 Line, USB3.0, Type-B Socket
Network Interface	1 Line, RJ45: 10M/100M adaptive Ethernet port
Audio Interface	1 Line, Line In, 3.5mm

Serial Interface	1 Line, RS232 IN/Out: 8-Pin Mini Din, up to 30 meters, VISCA/Pelco-D/Pelco-P Protocol. 1 Line, RS422/485: 9-Core Phoenix Interface, up to 1200 meters, VISCA/Pelco-D/Pelco-P Protocol.
Power Interface	JEITA RC-5320A Type 4
General Specifications	
Input Voltage	DC 12V
Input Current	Max.1.5A
Power Consumption	Max.18W
Operating Temperature	0~40°C
Storage Temperature	-10~60°C
Color	Silver gray
Dimension	(W)148*(D)181*(H)173mm
Weight	1.0kg
Accessories	DC 12V power adapter, IR Remote, User manual, USB3.0 Cable, RS-232C Cable, Ceiling bracket, Wall bracket(Optional)

Dimension



Application scenarios



Connection

